



## Features

- Integrated flash controller
- User management
- Password protection
- Backup & Restore function
- Coordinate transformation
- Flexible result conjunction



## general data

resolution	640 × 480 px
sensor type	1/4" CCD, monochrome
illumination	direct connection (integrated flash controller)
external illumination	as accessory
high-resolution mode	max. 50 inspections per second
high-speed mode (limited resolution)	max. 100 inspections per second
lens	C-mount
number of jobs (products)	≤ 255
features per job	32
defect image memory	32
signal processing	Baumer FEX® 4.0

## electrical data

voltage supply range +Vs	18 ... 30 V DC
power consumption	typical 5 W ( $I_{max} = 1.5$ A at 24 V)
inputs	8 ... 30 V
outputs	PNP 100 mA
digital inputs	trigger job selection external teach-in encoders (CH-A, CH-B) 500 kHz
digital outputs	Pass / Fail 1-5 Flash Sync Alarm Camera Ready Output Enable
initial setup	Ethernet (10BASE-T / 100BASE-TX)
process interface	TCP UDP (Ethernet)
visualization	web interface

## integrated flash controller

voltage	12 V DC or 24 V DC (permanent)  24 V DC or 48 V DC (pulsed)
current	$I_{max} = 800$ mA at 24 V DC (permanent) ( $\pm 10$ %, at least $\pm 100$ mA, at 25 °C) $I_{max} = 4$ A at 48 V DC (pulsed) (+10/-20 %, at least $\pm 100$ mA, at 25 °C)
flash time	max. 1 ms (Duty Cycle max. 1:10)

## mechanical data

width	53 mm (without lens/tube)
height	99,5 mm (without lens/tube)
depth	49,8 mm (without lens/tube)
material	housing: aluminum cover glass tube: PMMA
weight	≤ 300 g (without lens/tube)

## environmental conditions

operating temperature	+5 ... +50 °C
storage temperature	-20 ... +70 °C
case temperature	max. +50 °C
humidity	0 ... 90 % (non-condensing)
protection class	IP 67 (with tube)
vibration load	IEC 60068-2-6 IEC 60068-2-64
mechanical shock resistance	EN 60068-2-27

## feature checks

part location	part location on contours part location on edges part location on circle part location on text line
---------------	--

**feature checks**

geometry	distance
	circle
	angle
	count edges
	point position
feature comparison	count contour points
	contour comparison
	brightness
	contrast
	area size
	count areas
	pattern comparison

**electrical connection M12 / 12-pin (on device)**



1: PWR (+18-30 V DC)	7: OUT3
2: Ground	8: IN3
3: IN1 (Trigger)	9: OUT4
4: OUT1	10: IN4
5: IN2	11: IN5
6: OUT2	12: OUT5

**Ethernet connection M12 / 4-pin (on device)**



1: TD+	3: TD-
2: RD+	4: RD-

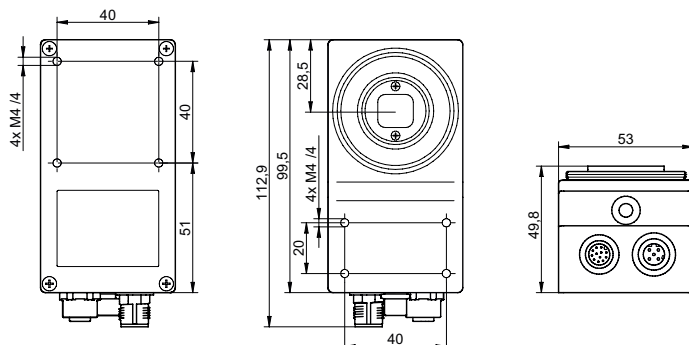
**electrical connection illumination M8 / 4-pin (on device)**



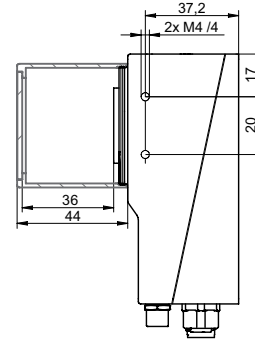
1: +24 V or +48 V Flash	3: Ground
2: +12 V or +24 V Flash	4: Flash Sync

voltage outputs configurable by software

**dimension drawing**



**C-mount support**



**XC Tube, XC Tube Module**

